



Energy Environment Solutions for Sustainable Growth



Vacuum Breaker

STEAM ENGINEERING

INTRODUCTION

Vacuum breaker is simple, compact & reliable device that automatically relieves (breaks) an unwanted vacuum condition permitting air to enter the system thereby restoring atmospheric pressure.

Vacuum Breaker is suitable for small volume equipment like heat exchangers, heating coils, heating kettles, calorifiers, steam headers, etc.

FEATURES

- SS body with SS internals
- Suitable for pressure up to 20 kg/cm² and temperature up to 200°C.
- Compact and light weight
- Simple to install
- Suitable for preventing vacuum due to condensing of saturated steam in equipment
- Suitable for draining compressed air / compressed gas systems.

OPERATING PARAMETERS

Maximum Operating Pressure, kg/cm ²	20
Maximum Operating Temperature, °C	200
Hydraulic Test Pressure, kg/cm ²	30

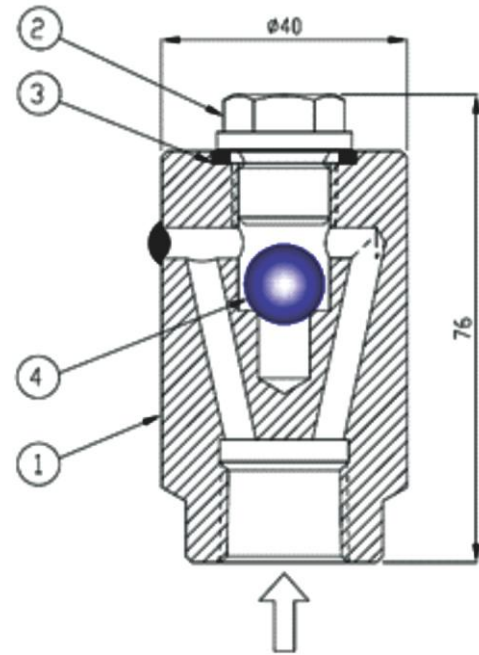
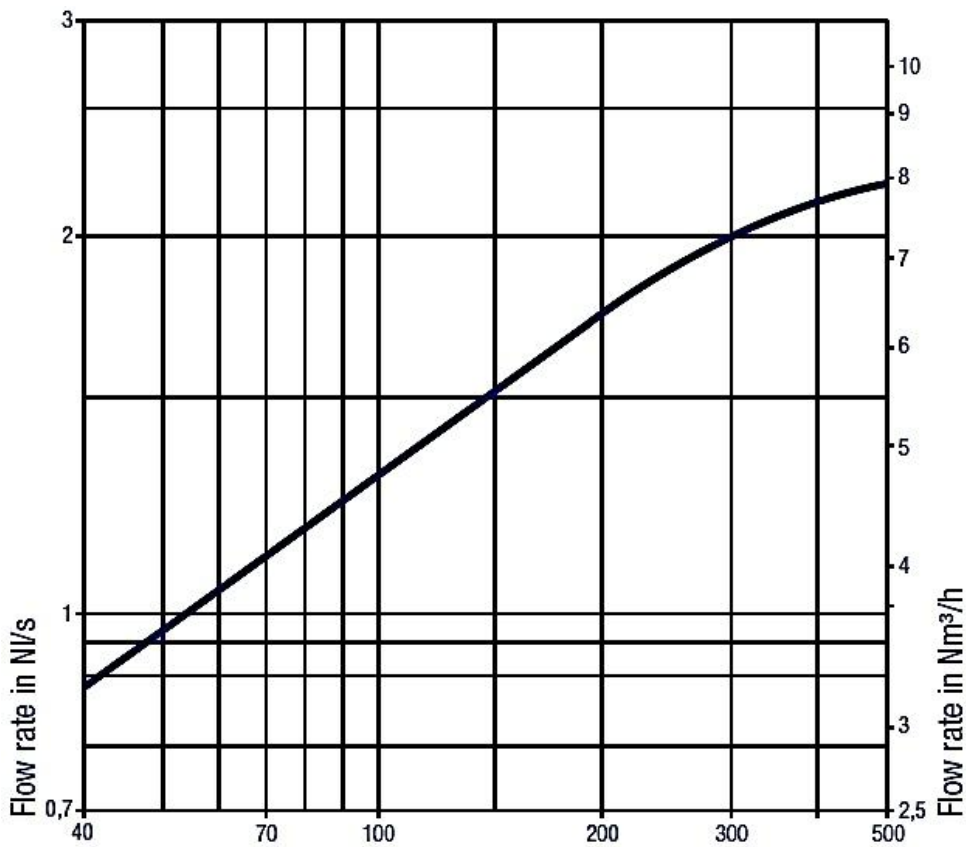
TECHNICAL SPECIFICATIONS

Size	DN15
Connections	Female screwed NPT
Installation	Vertical with system connection at the bottom

MATERIAL LIST

Sr No	Description	Material of Construction (MOC)	Specification
1	Body	Stainless Steel	ASTM A276 Type 304
2	Plug	Stainless Steel	ASTM A276 Type 204
3	Washer	Soft Steel	ASTM A1008
4	Ball	Stainless Steel	ASTM A276 Type 420

CAPACITY CHART



Pressure difference in mbar

Kvs: 0,6 m³/h Opening pressure $\Delta p = 12,5\text{mbar}$



THERMAX

www.thermaxglobal.com

Publication No. : SSBU/2015/SE/032

Ver. 2 - Dec 2019

Registered Office

D-13, MIDC Industrial Area,
R D Aga Road, Chinchwad,
Pune 411019, India

enquiry@thermaxglobal.com

Customer Care: 1800-209-0115



www.linkedin.com/company/thermax

Thermax Business Portfolio

- Heating
- Cooling
- Steam Engineering
- Air Pollution Control
- Chemicals
- Water and Wastewater Solutions
- Solar
- Power