



## Energy Environment Solutions for Sustainable Growth

# Thermostatic Steam Trap



**RIFOKa RK 10290**

**STEAM ENGINEERING**

### Introduction

Thermostatic steam trap RIFOKa–RK10290 is a compact steam trap having forged carbon steel body and recommended for steam heating applications where sensible heat of steam condensate is to be used. Steam condensate is removed at temperature below the saturated temperature. This condensate is known as sub-cooled condensate. The steam trap is provided with a built in strainer and can be used as an automatic air vent as well.

**Use of such steam traps reduces steam consumption.**

### Technical Specifications

|               |  |
|---------------|--|
| Certification | Manufacturer's certificate and Indian Boiler Regulation (IBR) certificate, if specified              |
| Sizes         | DN 15, 20, 25 (NPS 1/2, 3/4, 1)  |
| Connections   | Female Screwed, NPT and BSPT<br>Screwed to NPT is standards.<br>All other end connections on request |
| Installation  | Horizontal or Vertical (Condensate drainage has to be under gravity after the trap)                  |
| Body Design   | As per class 300#  |

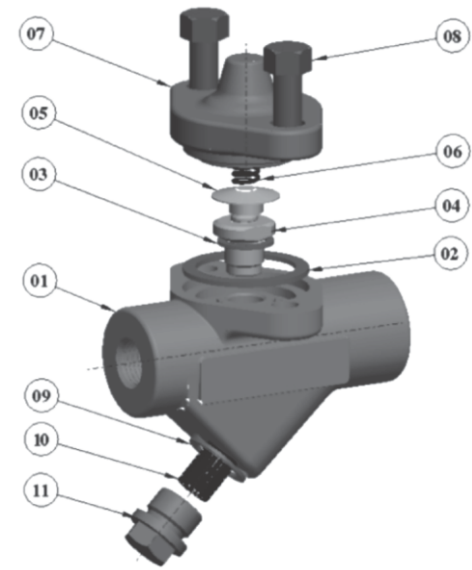
### Features

- Forged steel body with SS internals
- Corrosion resistant internals
- Thermostatic membrane capsule regulator resists corrosion and water hammer
- Modulating discharge – designed for varying loads with continuous discharge
- Discharges condensate below saturation temperature (Sub-cooled condensate)
- Built-in strainer provided
- High air discharge capacity and can be used as a air vent
- **Suitable for draining sub-cooled condensate from saturated steam application**
- **Suitable for air venting application from saturated steam system**

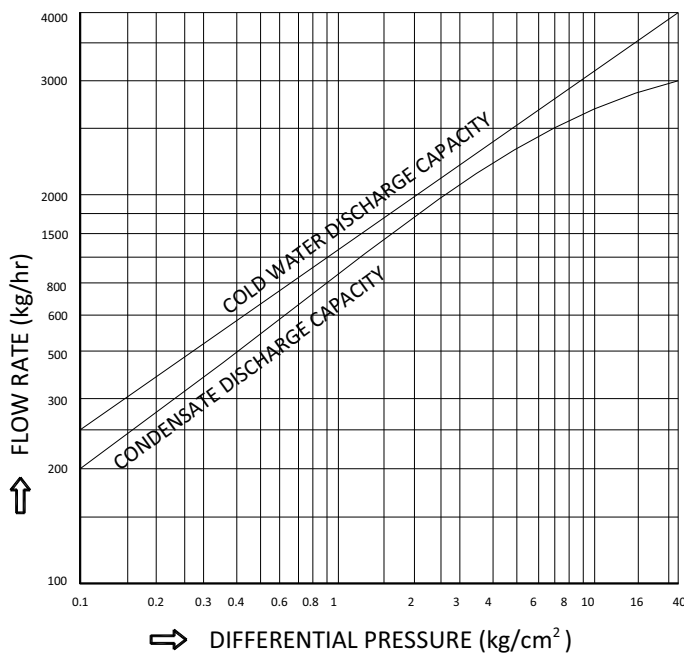
|                                  |                        |     |
|----------------------------------|------------------------|-----|
| PMO – Max. operating pressure    | kg/cm <sup>2</sup> (g) | 22  |
| TMO – Max. operating temperature | °C                     | 425 |
| Hydraulic test pressure          | kg/cm <sup>2</sup>     | 33  |

## Materials

| Sr No | Description         | Material of construction (MOC) | Specifications                |
|-------|---------------------|--------------------------------|-------------------------------|
| 1     | Body                | Forged Carbon Steel            | ASTM A105                     |
| 2     | Body Gasket         | Stainless Steel+ Graphite      | ASTM A240 Type 304 + Graphite |
| 3     | Capsule Seal Gasket | Stainless Steel                | ASTM A240 Type 304            |
| 4     | Capsule Seat        | Stainless Steel                | ASTM A276 Type 431            |
| 5     | Capsule             | Stainless Steel                | ASTM A240 Type 316 Ti         |
| 6     | Spring              | Stainless Steel                | ASTM A240 Type 304            |
| 7     | Top Cover           | Forged Carbon Steel            | ASTM A105                     |
| 8     | Hex Bolt            | Stainless Steel                | ASTM A193 Gr. B7              |
| 9     | Strainer Cap Gasket | Stainless Steel                | ASTM A240 Type 304            |
| 10    | Strainer            | Stainless Steel                | ASTM A240 Type 304            |
| 11    | Strainer Cap        | Forged Carbon Steel            | ASTM A105                     |



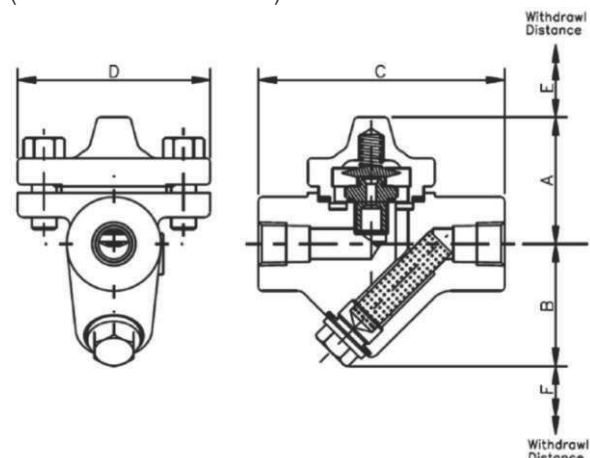
## Capacity Chart



## Dimensions & Weight

| Size  | A  | B  | C   | D  | E  | F  | Weight, kg |
|-------|----|----|-----|----|----|----|------------|
| DN 15 | 62 | 60 | 120 | 94 | 60 | 15 | 2.4        |
| DN 20 | 62 | 60 | 120 | 94 | 60 | 15 | 2.5        |
| DN 25 | 62 | 60 | 120 | 94 | 60 | 15 | 2.6        |

(All dimensions are in mm)



Product of RIFOX GmbH - A THERMAX group company



[www.thermaxglobal.com](http://www.thermaxglobal.com)

Publication No. : SSBY/2015/SE/027

Ver. 2 - Jan 2018

### Registered Office

D-13, MIDC Industrial Area,  
R D Aga Road, Chinchwad,  
Pune 411019, India

[enquiry@thermaxglobal.com](mailto:enquiry@thermaxglobal.com)

Customer Care: 1800-209-0115



[www.linkedin.com/company/thermax](http://www.linkedin.com/company/thermax)

### Thermax Business Portfolio

- Heating
- Cooling
- Steam Engineering
- Air Pollution Control
- Chemicals
- Water and Wastewater Solutions
- Solar
- Power

This brochure presents only some of our products and we reserve the right to amend any product details without notice. The photographs used in the brochure are indicative and may not match the actual plant.

© Thermax Limited, 2018